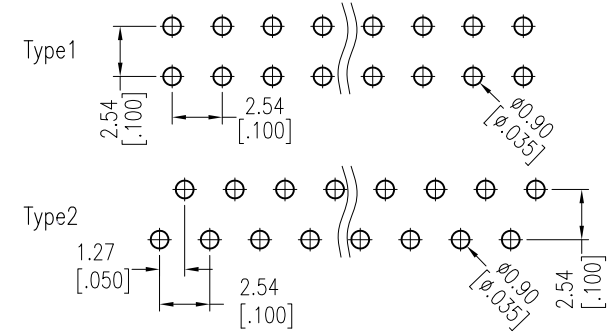
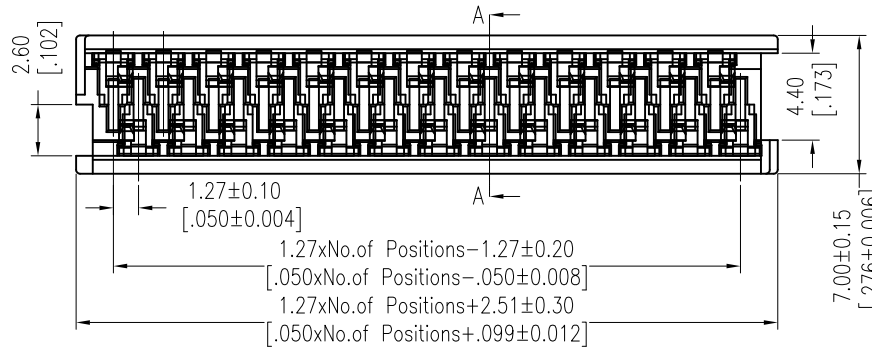


HSF

NOTES:
 Current Rating: 1.2AMP
 Contact Resistance: 20mΩ Max
 Withstand Voltage: 500V AC/DC
 Insulation Resistance: 1000MΩ Min
 Operation Temperature: -40°C to +105°C

Contact Material: Phosphor Bronze
 Contact plating: Sn over Ni
 Insulator Material: PBT+30%G.F UL94V-0

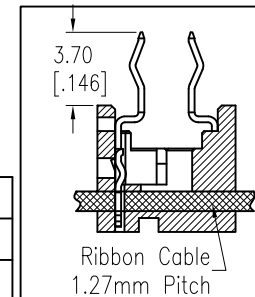
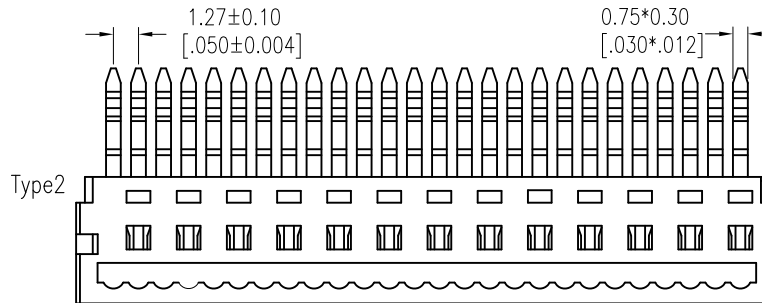
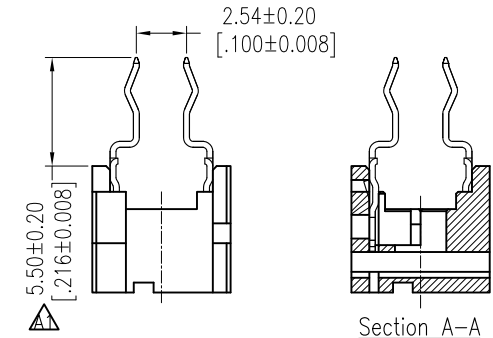
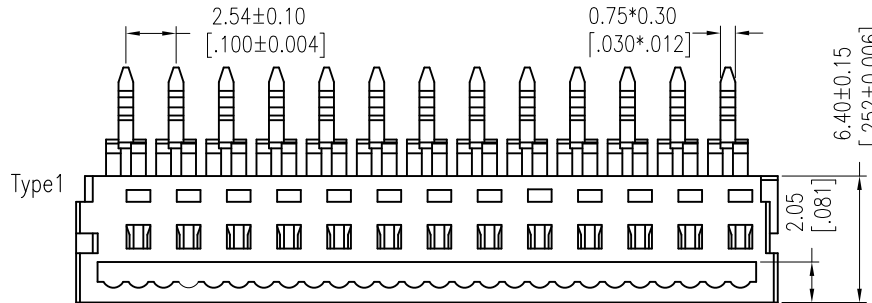
Recommended P.C.B Layout (Top Side)
 (PCB BOARD TOLERANCE ±0.05)



Ordering Information

3901-XX FD XX A N W X X

No. of Pins	Contact Plating	Insulator	Color	Packing
04 16	SM=Matte Tin	A=PBT	W=White	T=Tube
06 18	SN=Tin			A=Tray
08 20				
10 22				
12 24				
14 26				



Type	PART NO.
Type1	3901-XXFDXXANWX1
Type2	3901-XXFDXXANWX2

REV	DATE	MODIFICATION DESCRIPTION	CHANGE	OPERATION	DRAW	DATE	SCALE	FIT	PART NO.
A2	2018/05/15	Picoflex Connector--1.27mm SPC Connector	-----	x.X ±0.40	Ding	2018/05/15	UNIT	mm	3901-XXFDXXANWXX
A1	2017/08/04	Modify	-----	x.XX ±0.25	CHECK	DATE	SIZE	A4	
A0	2012/10/22	NEW	-----	x.XXX ±0.15	APPROVE	DATE	SHEET	1/1	
REV	DATE	MODIFICATION DESCRIPTION	CHANGE	DIM TOL	APPROVE	DATE	PROJ.	Customer NO.	

TITLE:
 1.27mm SPC Connector DIP